

**SPECIFICATIONS:**

**DESCRIPTION**

Outdoor post-mount or wall mount lantern features handcrafted European glass.

**LAMPING**

**Standard:** 75W A19 120V, *lamps not included.*

**CFL:** 18W CFL 120V, *lamps not included.*

**GU24 CFL:** Self-ballasted GU24 lampholders. 18W max, 120V, *lamps not included.*

**DIFFUSER**

Glass diffuser is hand-painted in various decors with Opal Glossy glass. The Black and Bronze finishes are opaque, while the White is semi-translucent for increased light output. Inside glass may be softly frosted (FR) to enhance the appearance. Dimensions are 8.5" Dia. x 9.25" H.

**CONSTRUCTION**

Post fitter or wall bracket cast aluminum with powder coated finish.

**MOUNTING**

Post fitter is suitable for installation onto a 3" post (*not included*). Wall bracket installs directly to a 4" octagonal outlet box, centered on fixture. 75°C supply wire required for incandescent lamping.

**LABELS**

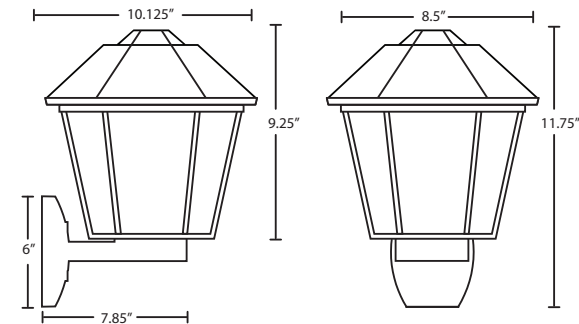
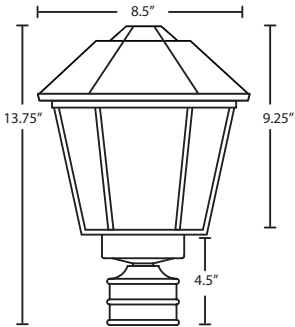
UL or ETL Listed. Suitable for Wet Locations. May be used in Interior or Exterior applications.



**327298-POST**  
Bronze with Post Fitter



**327253-WALL-FR**  
White with Frost option  
with Wall Bracket



**327253**  
White



**327257**  
Black



**327257-FR**  
Black with Frost option



**327298-FR**  
Bronze with Frost option

**Project Information:**

**ORDERING:**

3 | 2 | 7 | 2 | | - | | | | - | | | | - | |

| DECOR     | LAMPING                    | MOUNTING                | OPTIONS  |
|-----------|----------------------------|-------------------------|----------|
| 53 White  | (Blank) 1x 75W A19 (Incan) | POST Post Fitter        | FR Frost |
| 57 Black  | F1 1x 18W CFL              | WALL Wall Mount Bracket |          |
| 98 Bronze | GU24 1x GU24, 18W max      |                         |          |

All dimensions provided are nominal. Allowance must be made for dimensional tolerance in handcrafted glasses.